

# KPH-109HD

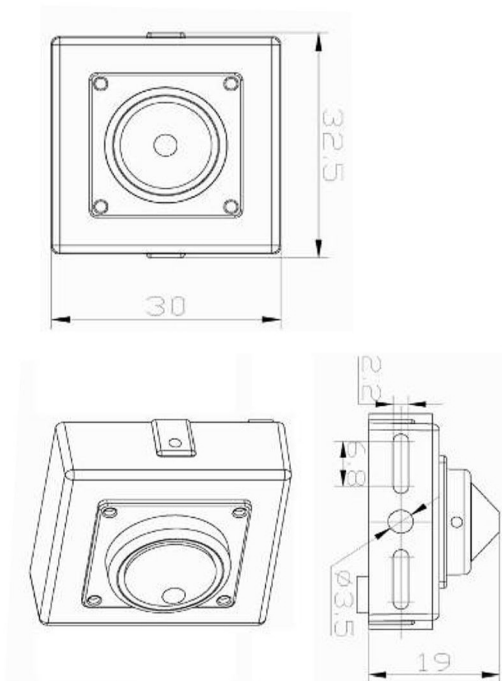
1/3" Sony CCD PIN HOLE Camera



## Features

- Low noise high quality color images
- 1/3" Super HAD Sony CCD DSP Chip Set Process
- 600TVL Resolution Color Video Resolution
- Minimum Illumination of 1Lux/0 Lux(IR ON)
- 3.7mm Pinhole Lens

## Dimension



## Specification

Model	KPH-109HD
Video device	
Image Sensor	1/3 "Super HAD Sony CCD
Effective Pixels	PAL:752(H) X 582(V)
Signal System	PAL
Horizontal Resolution	600TVL
Minimum Illumination	0 LUX IR ON
S/N Ratio	>48dB
Operational system Device	
Shutter speed	1/50(1/60)---1/100,000(Sec.)
White Balance	Auto Tracking White Balance
Video Output	1Vp-p,75ohm,BNC
Lens	3.7mm Pinhole lens
D-WDR	No
3D-DNR	No
Sens-up	No
Image stabilizer	No
Digital effect	No
Electronic zoom	No
AWB	No
Strong Light Reversion	No
Image Freeze	No
PRIVACY	No
BLC	No
Power Supply	
Power Supply	DC12V/350MA
Environmental	
Operation Temperature	-10°C ~ +50°C
Operation Humidity	20~80%
Storage Temperature	-10°C ~ +60°C
Storage Humidity	20~95%

Distributed BY

