

Mini Outdoor High Speed Dome



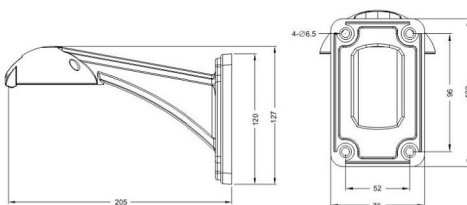
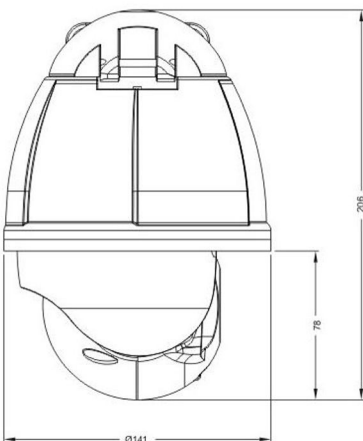
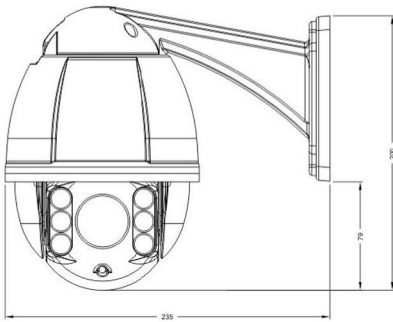
Feature

- ★ PWM function, intelligent IR illumination & power consumption is variable, dependant the zoom factor
- ★ IR distance up to 50 meters; Multiple languages for OSD menu, English, Spanish etc
- ★ Support ambient light detection, IR illumination on 0-25 grades selectable
- ★ 32 bit CPU, slowest speed rate 0.02°/s, smooth and even motion
- ★ Time scheduling function
- ★ Dome ID, baud rate, communication protocol can be set via the controller
- ★ Supported Protocols: Pelco-D/P; Others on special request
- ★ 4.5" total metal body construction, waterproof IP66
- ★ Optional IP module (built in provision)
- ★ Optional, 4 alarm inputs and 2 alarm outputs

Specifications

Horizontal Rotation Speed	0.02 ~200°/s
Tilt Rotation Speed	0.02 ~120°/s
Horizontal Rotation Range	360°
Tilt Rotation Range	93°
Auto Flip	Horizontal 180°, Vertical 93°
Ratio Speed	Support
Auto Control IR LED	PWM
360° Scan	1-9 grades setting available
A-B Scan	User programmable
A-B Scan Speed	1-9 grades setting available
PWR on Action	Memory/Pattern 1/Tour 1/360 scan/A-B scan/Preset 1-8/None
Park Time	1-60mins setting available
Dwell Preset	5-60s interval available
Preset Points	220
Go to Preset Speed	200°/s
Guard Tours	4 groups
Guard Points	Max.16 points, dwell time user selectable
Pattern Scan	4 pcs
Pattern Scan Record	Max.15 minutes, max.512 commands
3D Location	Support
Time Scheduling Function	8 tasks
Communication Protocol	Pelco-D, Pelco-P
Communication	RS485
Baud Rate	1200/2400/4800/9600bps
Privacy Mask	Support (according to camera module type)
Operating Temperature	Indoor: 0°~ +40° Outdoor: -40°~ +60°
Operating Humidity	≤95% Non Condensing
Heater & Blower	Auto temperature control
Power	AC/DC 15-28V ≤3A
IR Illumination Distance	50M
Power Consumption	≤ 15W
Lightning Protection	Transient voltage 6000V
Compatible Camera	SONY, HITACHI, SAMSUNG, LG, CNB etc.
IR LED	Ø16=6

Dimension



Camera Specifications

Model	375-650
CCD	1/3"SONY Exview HAD CCD
Lens	10X Optical zoom F=1.6 f=4.8mm~48mm
Min Illumination	0.1Lux
Control Protocol	Compatible LG protocol
Backlight	Built in (ON/OFF)
Gain Control	Auto
Focus	Manual /Auto /One key control
Iuput Output Port	9Pin port (1:3.5.7connect ground; 2:NC:4:video out; 6:powr; 8:communication TXD; 9:communication RXD)
Operating Temperature	-10°C ~ 60°C